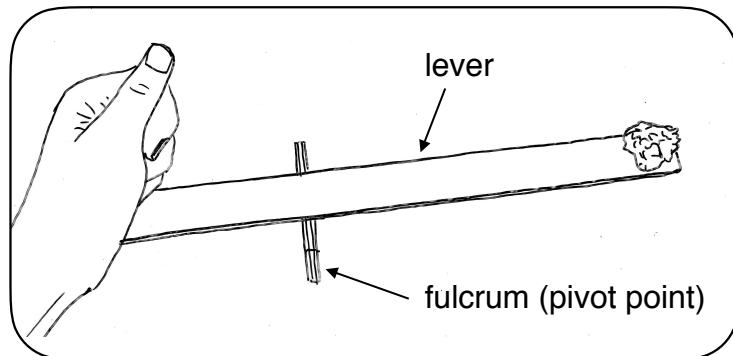


Levers

Name: _____

1. Set up the materials like this, with the fulcrum in the middle of the lever:



Practice using the same force each time so the foil ball goes the same height.

2. Change the position of the fulcrum.

Draw two examples of fulcrum position and foil projection height.

3. Try the two fulcrum positions without the foil ball.

Measure how far the lever end moves (the end that carried the foil ball).

Add your measurements to your drawings.